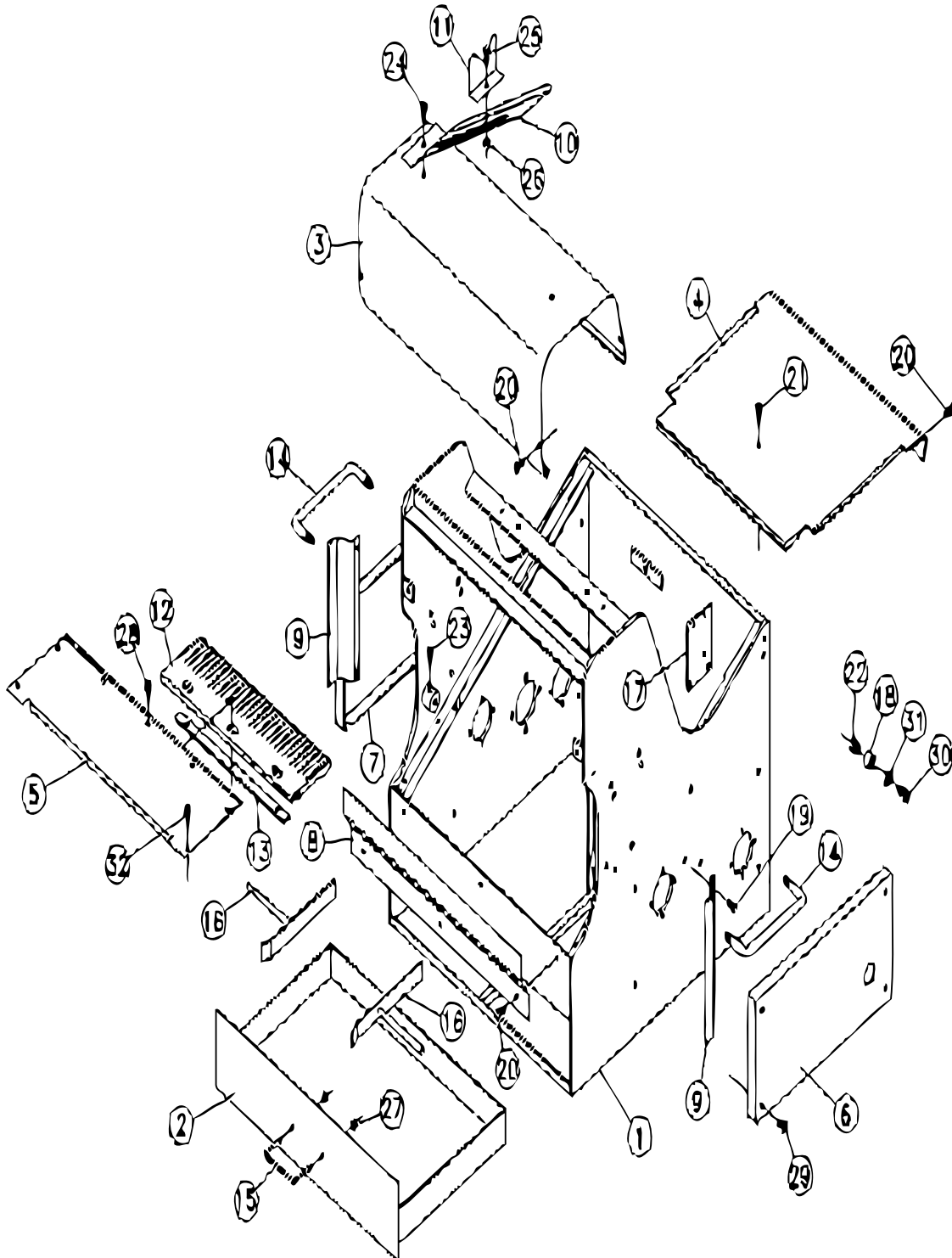


Parts Breakdown

Model SB-TW-0016-S 21122

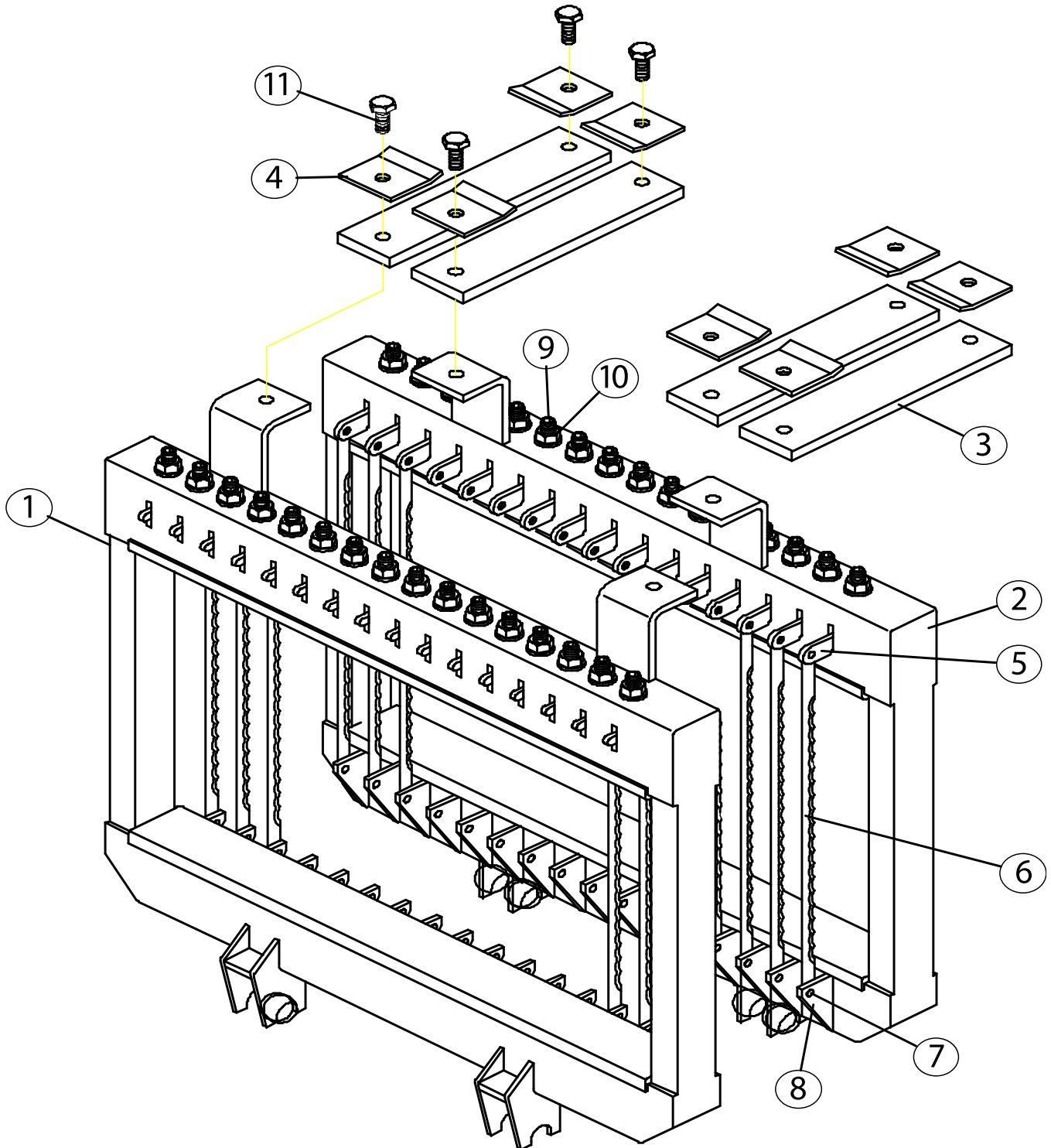
Machine Body



Parts Breakdown

Model SB-TW-0016-S 21122

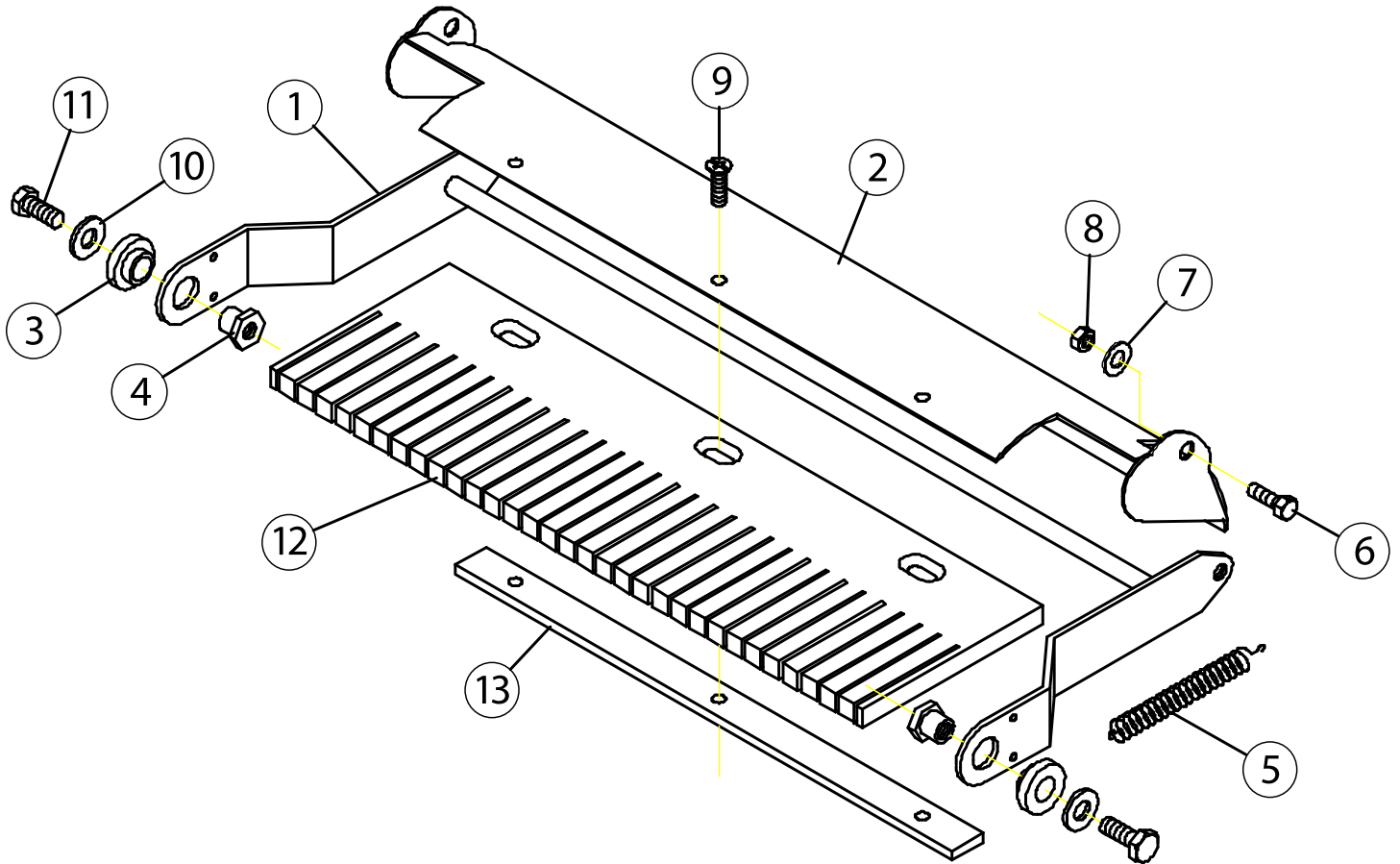
Knives Frame Unit



Parts Breakdown

Model SB-TW-0016-S 21122

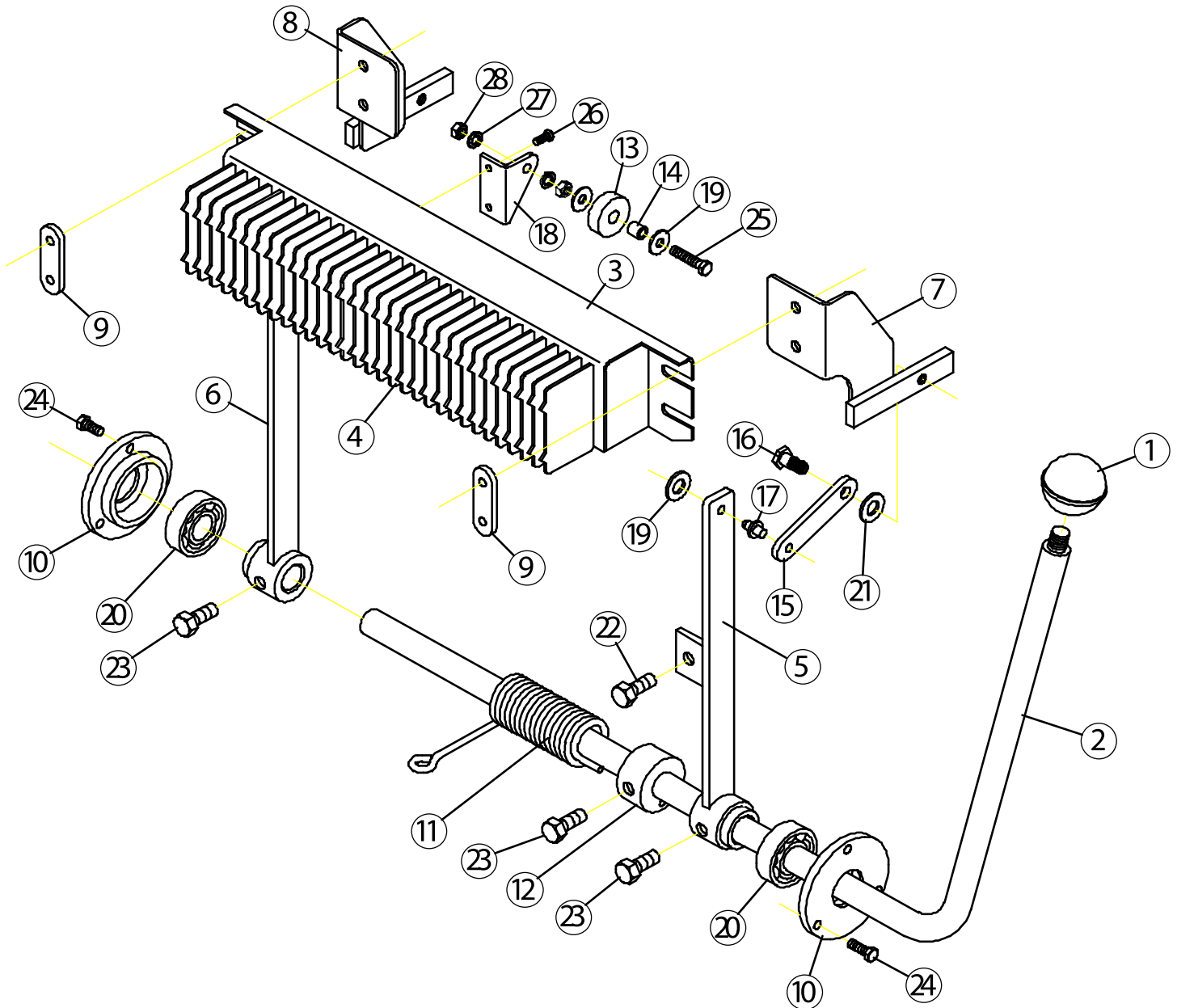
Upper Comp Unit



Parts Breakdown

Model SB-TW-0016-S 21122

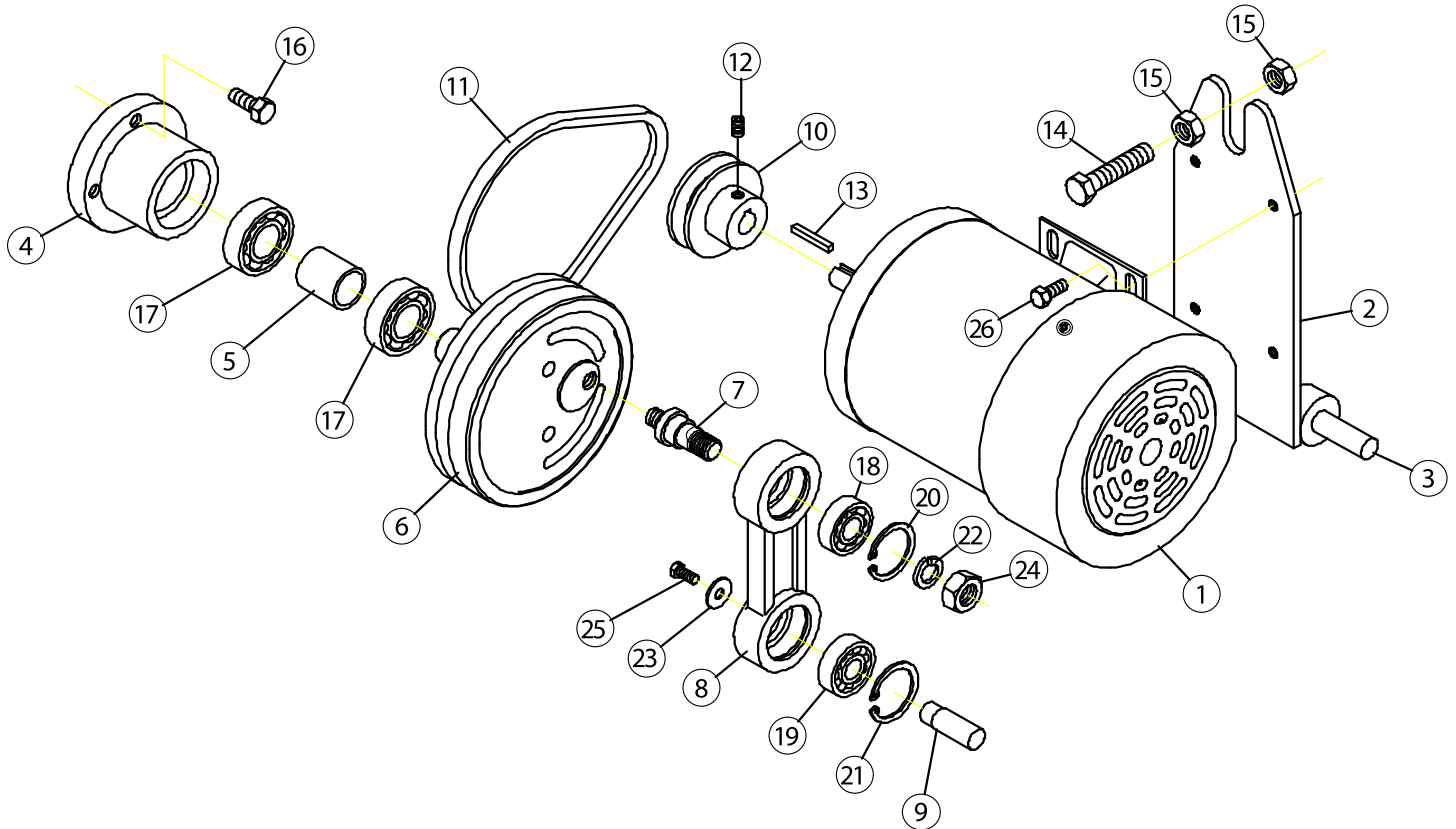
Pusher Unit



Parts Breakdown

Model SB-TW-0016-S 21122

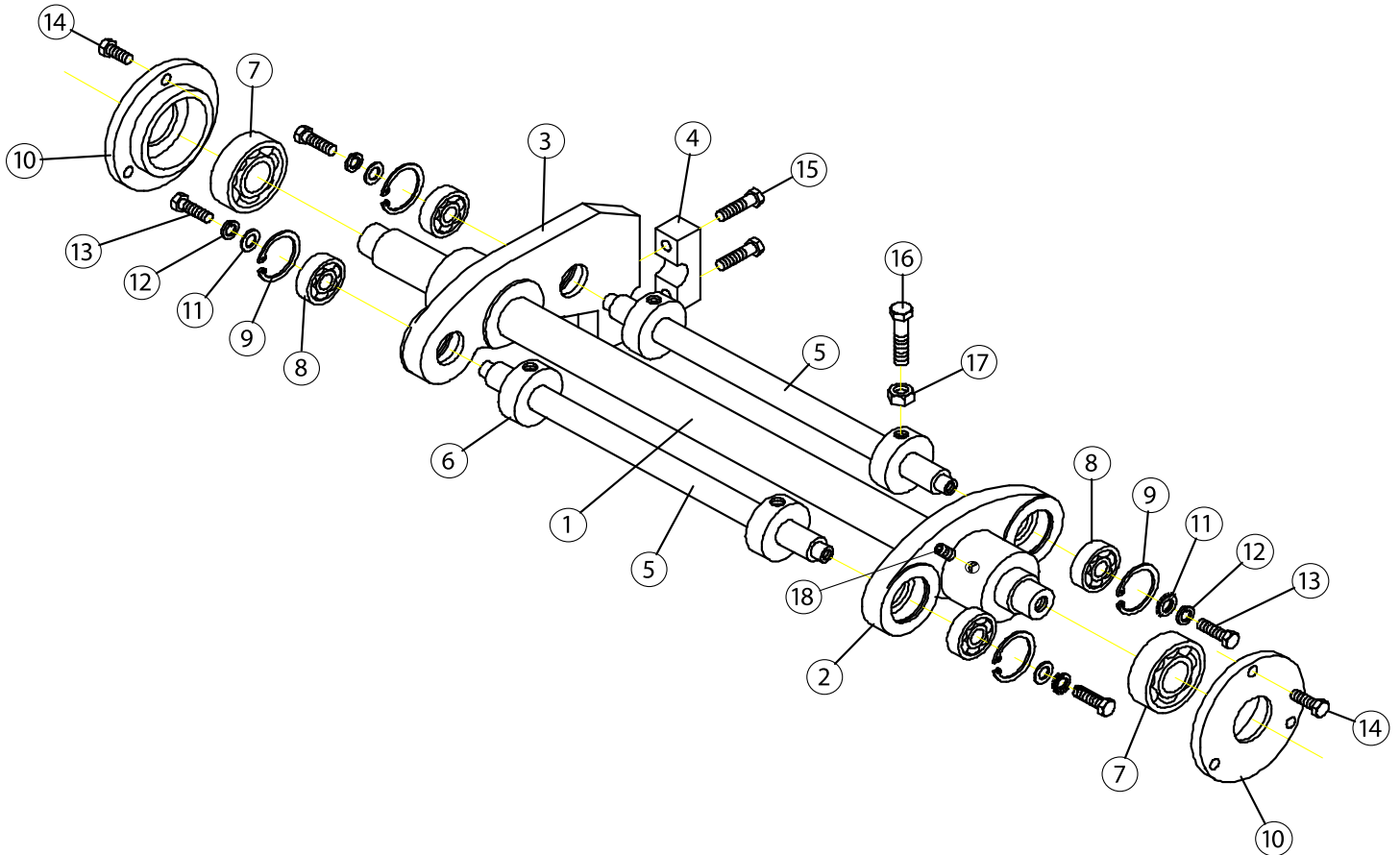
Motor Unit



Parts Breakdown

Model SB-TW-0016-S 21122

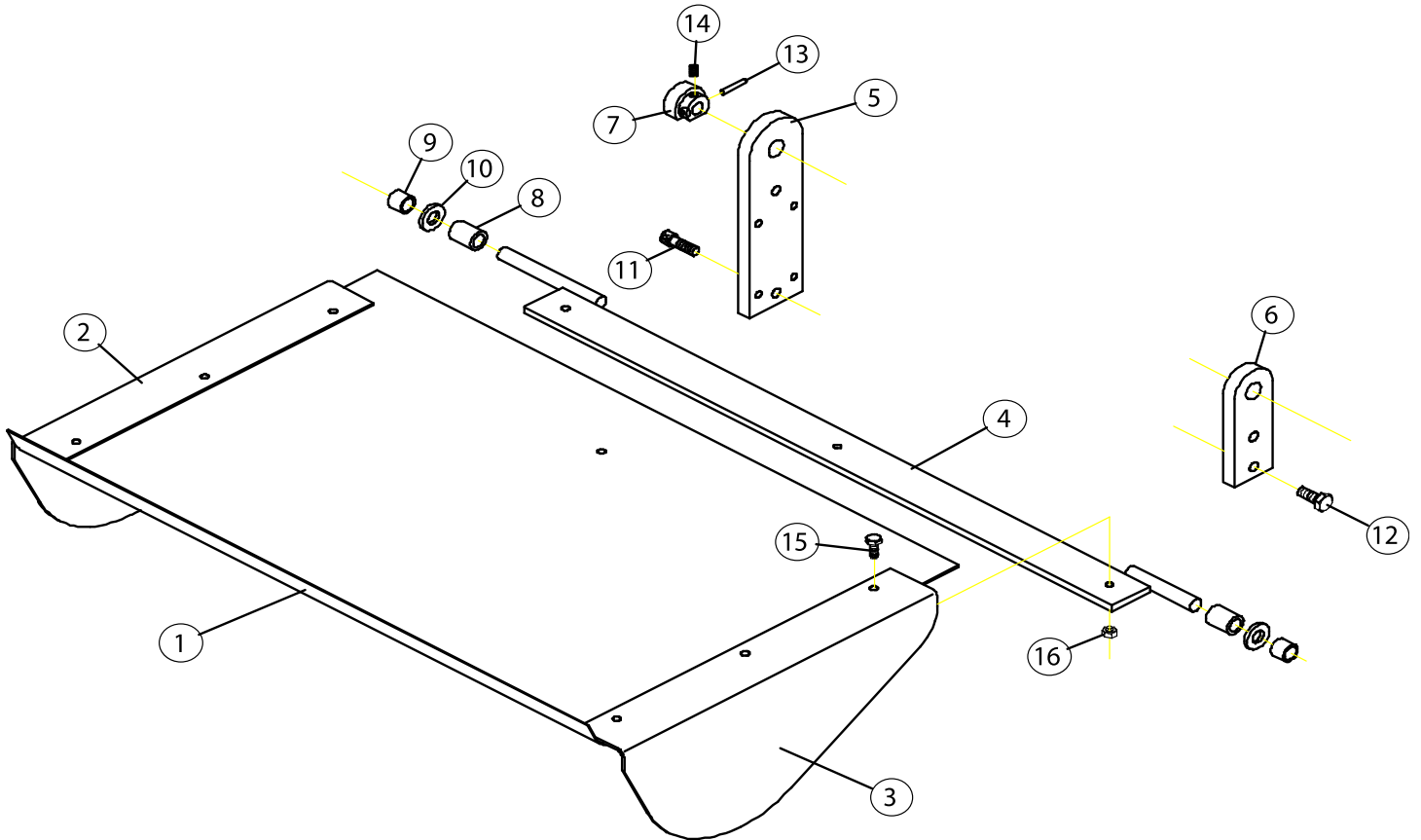
Transmission Unit



Parts Breakdown

Model SB-TW-0016-S 21122

Safety Guard





Parts Breakdown

Model SB-TW-0016-S 21122

Machine Body

Item No.	Description	Position	Item No.	Description	Position	Item No.	Description	Position
42651	Body for 21122	1	37832	Base of Packing Shelf for 21122	11	AM641	Bolt 5/16" x 3/8" for 21122	21, 23
42652	Drawer for 21122	2	37833	Lower Comb for 21122	12	42662	Axle for 21122	22
42653	Upper Lid for 21122	3	37834	Fixing Plate for 21122	13	AM642	Bolt 3/8" x 1/2" for 21122	24, 25
42654	Rear Guide Board for 21122	4	AM638	Handle of Machine for 21122	14	42856	Nut 3/8" x 16NC for 21122	26, 27
37829	Front Guide Board for 21122	5	42659	Handle of Drawer for 21122	15	AM643	Bolt 1/4" x 3/16" for 21122	28
42655	Left Side Cover for 21122	6	37835	Bread Guide Bar for 21122	16	AM644	Bolt 1/4" x 1" for 21122	29
42656	Right Side Cover for 21122	7	42660	Fixing Plate for 21122	17	42802	Bolt 5/16" x 1 for 21122	30
37830	Front Side Cover for 21122	8	42661	Rubber Ring for 21122	18	42793	Spring Washer 5/16" for 21122	31
42657	Safety Plate for 21122	9	AM639	Bolt 3/16" x 3/16" for 21122	19	AM645	Bolt 1/4 x 5/8 for 21122	32
37831	Packing Shelf for 21122	10	AM640	Bolt 1/4" x 3/8" for 21122	20			

Knives Frame Unit

Item No.	Description	Position	Item No.	Description	Position	Item No.	Description	Position
42663	Knives Frame A for 21122	1	37837	Knives Hook for 21122	5	AM646	Set Screw 1/2" x 1-1/2" for 21122	9
42664	Knives Frame B for 21122	2	37838	Slicer Blades for 21122	6	37840	Nut M8 for 21122	10
37836	Frame Holder for 21122	3	37839	Fixed Nail Knives for 21122	7	AM647	Bolt 5/16" x 5/8" for 21122	11
42665	Fixed Plate for 21122	4	42666	Knives Holder for 21122	8			

Upper Comp Unit

Item No.	Description	Position	Item No.	Description	Position	Item No.	Description	Position
37841	Guide Arm for 21122	1	37843	Spring for 21122	5	AM645	Bolt 1/4" x 5/8" for 21122	9
37842	Pressing Guide Board for 21122	2	42826	Bolt 5/16" x 1/2" for 21122	6	AM641	Bolt 5/16" x 3/8" for 21122	11
42667	Bush for 21122	3	AM648	Washer 5/16" for 21122	7, 10	37844	Upper Comb for 21122	12
42662	Axle for 21122	4	42818	Nut 5/16" x 18NC for 21122	8	37834	Fixing Plate for 21122	13

Parts Breakdown

Model SB-TW-0016-S 21122

Pusher Unit

Item No.	Description	Position	Item No.	Description	Position	Item No.	Description	Position
42670	Knob for 21122	1	42676	Spring for 21122	11	AM650	Washer 3/8" for 21122	21
42671	Starting Crank for 21122	2	42677	Fixing Ring for 21122	12	AM644	Bolt 1/4" x 1" for 21122	22
37845	Pusher for 21122	3	42678	Rubber Wheel for 21122	13	AM651	Bolt 3/8" x 3/8" for 21122	23
37846	Fork-Pusher for 21122	4	42679	Wheel Ring for 21122	14	42810	Screw for 21122	24
42672	Rod-Right for 21122	5	42680	Rod for 21122	15	AM652	Bolt 1/4" x 1-1/2" for 21122	25
42673	Rod-Left for 21122	6	42681	Axle for 21122	16	AM653	Bolt 3/16" x 3/8" for 21122	26
37847	Slide Seat-Right for 21122	7	42682	Axle for 21122	17	42791	Spring Washer 1/4" for 21122	27
37848	Slide Seat-Left for 21122	8	42683	Wheel Support for 21122	18	42819	Nut 1/4 x 20NC for 21122	28
42674	Fixing Plate of Pusher for 21122	9	AM649	Washer 1/4" for 21122	19			
42675	Bearing Housing for 21122	10	42746	Ball Bearing for 21122	20			

Motor Unit

Item No.	Description	Position	Item No.	Description	Position	Item No.	Description	Position
41189	Motor for 21122	1	42736	Pulley for 21122	10	42748	Ball Bearing for 21122	18
42685	Motor Bearing for 21122	2	42737	Belt for 21122	11	42749	Ball Bearing for 21122	19
42686	Shaft Motor-Bearing for 21122	3	42738	Bearing Seat for 21122	12	AM657	C Snap Ring R40 for 21122	20
42687	Bearing Housing for 21122	4	42814	Screw for 21122	12	AM658	C Snap Ring R42 for 21122	21
42688	Bush for 21122	5	AM654	Key 5 x 5 x 30 for 21122	13	42792	Spring Washer 5/8" for 21122	22
42733	Pulley for 21122	6	AM655	Bolt 1/2 x 3 for 21122	14	AM649	Washer 1/4" for 21122	23
42684	Driving Shaft for 21122	7	42825	Nut 5/16 x 18NC for 21122	15	42820	Nut 5/8 x 11NC for 21122	24
42734	Connecting Rod for 21122	8	AM647	Bolt 5/16" x 5/8" for 21122	16	AM659	Bolt 1/4" x 3/4" for 21122	25
42735	Shaft Crank for 21122	9	AM656	Ball Bearing 6205 for 21122	17	42826	Bolt 5/16" x 1/2" for 21122	26

Transmission Unit

Item No.	Description	Position	Item No.	Description	Position	Item No.	Description	Position
37853	Shaft for 21122	1	42746	Ball Bearing for 21122	7	AM645	Bolt 1/4" x 5/8" for 21122	13
37854	Shaft Housing for 21122	2	42750	Ball Bearing for 21122	8	42810	Screw for 21122	14
37855	Crank-Knives Frame for 21122	3	AM660	C Snap Ring R30 for 21122	9	AM644	Bolt 1/4" x 1" for 21122	15
37856	Clamp Block for 21122	4	42675	Bearing Housing for 21122	10	42802	Bolt 5/16" x 1" for 21122	16
37857	Support Shaft for 21122	5	AM649	Washer 1/4" for 21122	11	42818	Nut 5/16 x 18NC for 21122	17
37858	Clamp Ring for 21122	6	42791	Spring Washer 1/4" for 21122	12	AM661	Set Screw 5/16" x 1/2" for 21122	18



Parts Breakdown

Model SB-TW-0016-S 21122

Safety Guard

Item No.	Description	Position	Item No.	Description	Position	Item No.	Description	Position
37849	Safety Guard for 21122	1	42742	Cam for 21122	7	AM663	Pin 3 x L1" for 21122	13
37850	Left Cover for 21122	2	42743	Spacer for 21122	8	AM664	Set Screw 3/16" x 5/16" for 21122	14
37851	Right Cover for 21122	3	42744	Spacer for 21122	9	42811	Screw for 21122	15
37852	Fixing Plate for 21122	4	42745	Spacer for 21122	10	42821	Nut 3/16 x 24NC for 21122	16
42740	Support Shaft for 21122	5	AM662	Cap Screw 1/4" x 5/16" for 21122	11			
42741	Support Shaft for 21122	6	AM645	Bolt 1/4" x 5/8" for 21122	12			